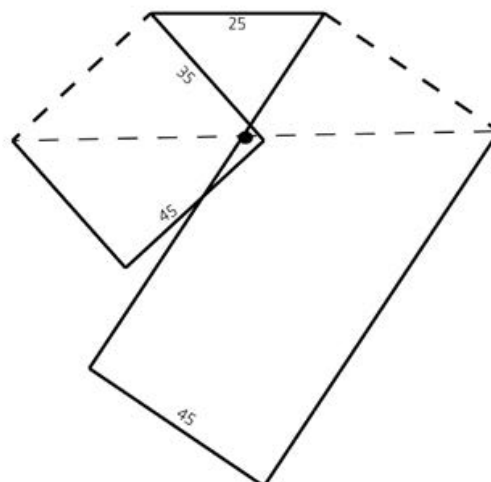





Pattern



Abbreviations

beg	= beginning
k	= knit
p	= purl
patt	= pattern
rep	= repeat
rib	= ribbing
RS	= right side
sl	= slip
st(s)	= stitch(es)
tog	= together
yfwd	= yarn forward

Difficulty

	easy
	intermediate
	difficult

Finished size: approx 140 cm by 40 cm



Yarn: 300 gm Color 1508 ombre "Gradient"

(100 % Merino, length 260m/100g)

Needles: 1 Pair knitting needles 3.5mm Fur trim yarn, approx 10 m; Fur Pompon (Finn Raccoon); blunt darning needle with extra-large eye.

Special Abbreviations: 1 x 1 Brioche Rib

Row 1 (RS): Edge st, * k1, p1, rep from * to last to 2 sts, k1, edge st.

Row 2: Edge st, * with yfwd sl1 purlwise, keeping yfwd k1; rep from * to last 2 sts, with yfwd sl1 purlwise, edge st.

Row 3: Edge st, * knit next st tog with loop from previous row, p1; rep from * to last 2 sts, knit next st tog with loop from previous row, edge st. Rep Rows 2 and 3 throughout.

Fishermans' rib



Tension: 24 sts and 44 rows to 10 cm, slightly stretched, measured over rib using 3.5mm needles.

To make:

Using 3.5mm needles cast on 81 sts. Beg with Row 1 of Brioche Rib, work in patt to 140 cm. Cast off. Darn in ends. Sew fur trim yarn to outer edges of Cape. Lay one edge of Cape over the other and sew fur pompon at this point.

